

R10



STOOLS

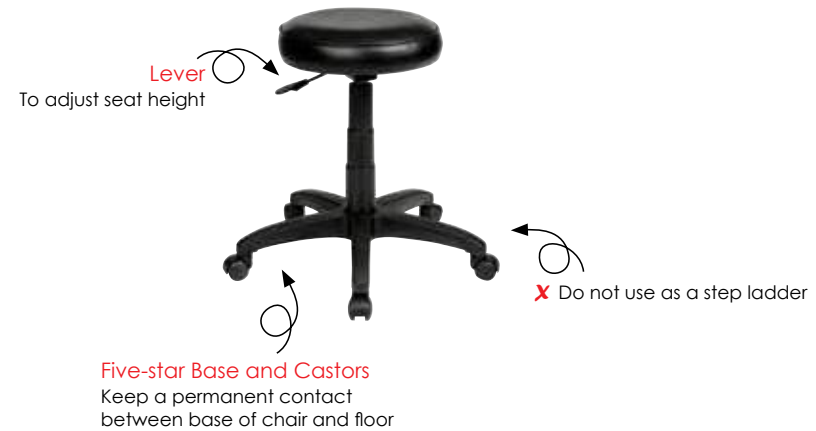
INDUSTRIAL STOOLS



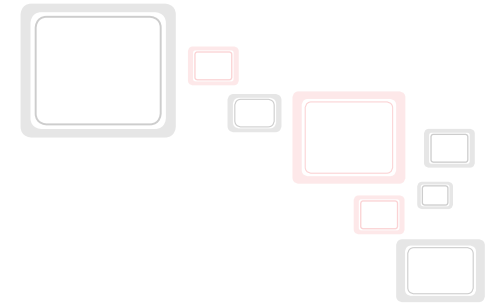
FEATURES

- » Adjustable seat height
- » Optional drafting kit
- » Optional glides or brake castors
- » 600mm Black nylon base
- » 5 Year warranty
- » Weight limit is 120kg

INSTRUCTIONS OF USE



INDUSTRIAL STOOLS

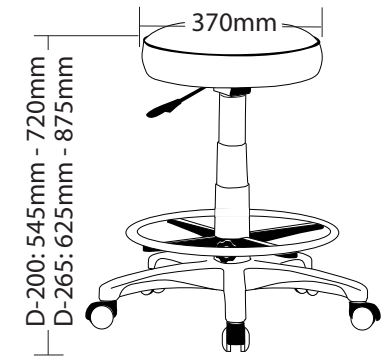


ST003D

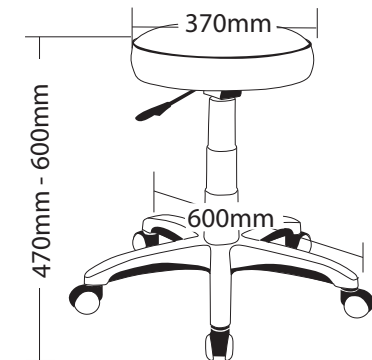


ST003

SIZE



ST003D



ST003